



TM

Z-3000  
OWNER'S MANUAL



Welcome to clean air with TruSens. Thank you for allowing us to join you on your journey towards wellness.

The air you breathe should be clean, no matter where you are in the room. TruSens SensorPod™, PureDirect™ Technology & DuPont™ Filtration ensure the whole room benefits from cleaner air.

## CONTENTS

SAFETY INFORMATION	4
FEATURE HIGHLIGHTS	6
PRODUCT OVERVIEW	7
GETTING STARTED	8
CONTROL PANEL	10
AIR QUALITY DISPLAY	11
SPECIFICATIONS	12
CARE & MAINTENANCE	13
Replacing HEPA Filter	13
Replacing Carbon Filter	14
Washing the Prefilter	14
Replacing UV Bulb	15
Cleaning the SensorPod™	16
FAQ & TROUBLESHOOTING	17
WARRANTY & SUPPORT	19

## SAFETY INFORMATION



**WARNING:** To reduce the risk of fire or electric shock, do not use this fan with any solid-state speed control device.

Do not operate any purifier with a damaged cord or plug, or if the wall socket is loose.

Do not run cord under carpeting, throw rugs, runners, or similar coverings. Do not run cord under furniture or appliances. Arrange cord away from traffic area and where it will not be tripped over.



**WARNING:** Skin or eye damage may result from directly viewing the light produced by the bulb in this apparatus. Always disconnect power before replacing or servicing. Replace bulb with UVLZ300001AU, Manufactured by ACCO Brands.

- Remove all packaging, including the filter bag, before use.
- Appliances that are obviously damaged must not be operated.
- This appliance must only be connected to a wall socket outlet matching the supply plug type and rating stated on the rating plate.
- Locate air purifier near the outlet wall socket and do not use extension cords.
- This appliance can be used by children aged from 8 years and above and persons with reduced physical, sensory or mental capabilities or lack of experience and knowledge if they have been given supervision or instruction concerning use of the appliance in a safe way and understand the hazards involved.
- Children shall not play with the appliance.
- Replace the UV bulb with the models specified within this manual.
- Do not attempt to service or repair this product yourself.
- Only use the purifier and SensorPod™ with the power cable provided.
- Only clean this machine with a damp cloth, do not use solvents or bleach.
- Ensure appliance is always placed on firm level surface before operation.
- Do not block or obstruct the air intake or outlet vents.
- Do not insert fingers or other items into the air intake or outlet vents.
- When the air purifier is in standby mode the SensorPod is still transmitting a signal/data.

Z-3000: FCC ID: GV3-18Z3000 IC: 6128A-18Z3000  
Sensor: FCC ID: GV3-18SP001 IC: 6128A-18SP001

This device complies with part 15 of the FCC Rules. Operation is subject to the following two conditions:

- (1) This device may not cause harmful interference, and
- (2) this device must accept any interference received, including interference that may cause undesired operation.

Any Changes or modifications not expressly approved by the party responsible for compliance could void the user's authority to operate the equipment.

This equipment has been tested and found to comply with the limits for a Class B digital device, pursuant to Part 15 of the FCC Rules. These limits are designed to provide reasonable protection against harmful interference in a residential installation. This equipment generates, uses and can radiate radio frequency energy and, if not installed and used in accordance with the instructions, may cause harmful interference to radio communications.

However, there is no guarantee that interference will not occur in a particular installation. If this equipment does cause harmful interference to radio or television reception, which can be determined by turning the equipment off and on, the user is encouraged to try to correct the interference by one or more of the following measures:

- Reorient or relocate the receiving antenna.
- Increase the separation between the equipment and receiver.
- Connect the equipment into an outlet on a circuit different from that to which the receiver is connected.
- Consult the dealer or an experienced radio/TV technician for help.

FCC RF Radiation Exposure Statement: This equipment should be installed and operated with minimum distance of 20cm between the radiator and all persons.

This device contains licence-exempt transmitter(s)/ receiver(s) that comply with Innovation, Science and Economic Development Canada's licence-exempt RSS(s). Operation is subject to the following two conditions:

- (1) This device may not cause interference.
- (2) This device must accept any interference, including interference that may cause undesired operation of the device.

## FEATURE HIGHLIGHTS



**SensorPod™**  
Remote air quality monitor that ensures cleaner air, right where you need it.



**PureDirect™ Technology**  
Independent lab testing confirms that two airflow streams are better than one, moving air effectively and more comfortably throughout the room.



**Informs and Adapts**  
Colour-coded illuminated ring provides additional information by communicating air quality in real-time.



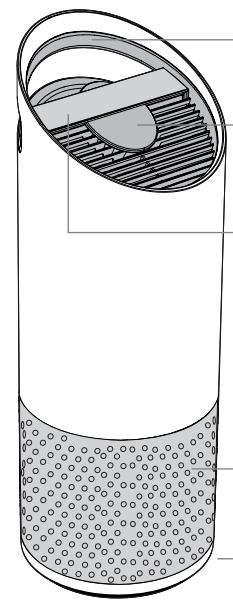
**360° Purification**  
DuPont™ HEPA filter captures pollutants and VOC gases/odours from all directions. UV light kills germs and bacteria that can get trapped in the filter.



**Thoughtful Execution**  
Exceptional functionality wrapped in a contemporary design that fits any environment.

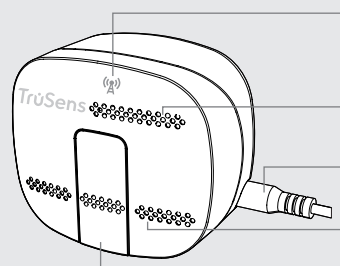
## PRODUCT OVERVIEW

### Air Purifier



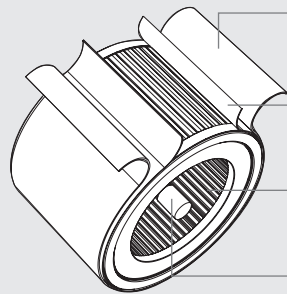
- Easy-carry handle
- Air quality indicator display
- Simple touch control panel
- 360° air intake
- Filter cover & knob (underneath)

### SensorPod™



- Power & signal indicator
- Air outlet
- Power cord
- Air inlet
- Easy-access door

### Filter & Ultraviolet Sterilisation



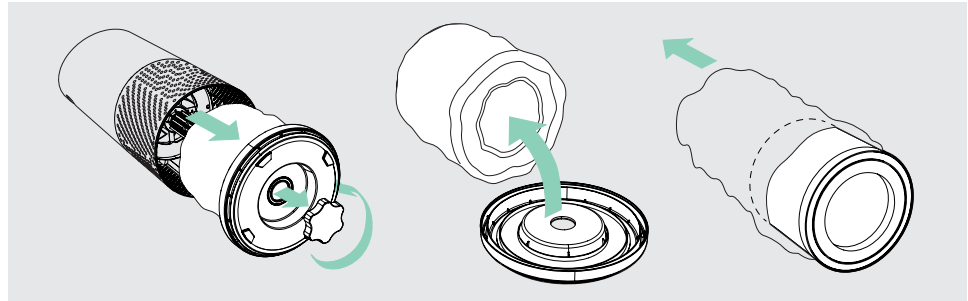
- Washable Prefilter
- Carbon Filter
- True HEPA Filter
- UV Sterilisation

## GETTING STARTED



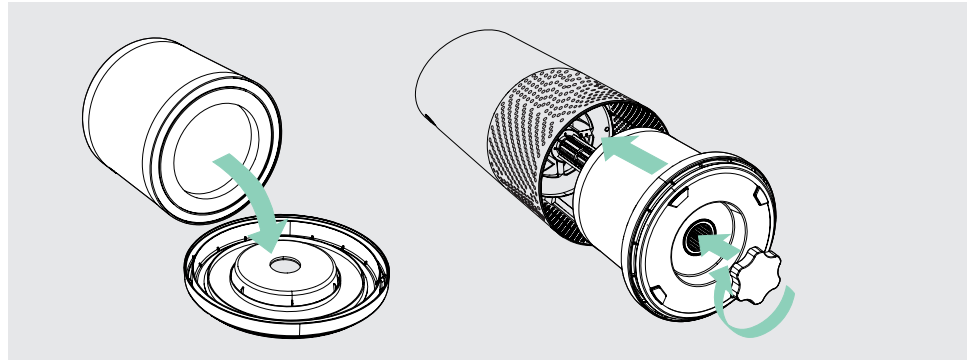
### 1. Remove plastic bag from filter

Unscrew the bottom cover and remove the plastic bag from the filter.



### 2. Re-attach filter

Secure filter on the bottom cover and replace inside the purifier.



### 3. Set up

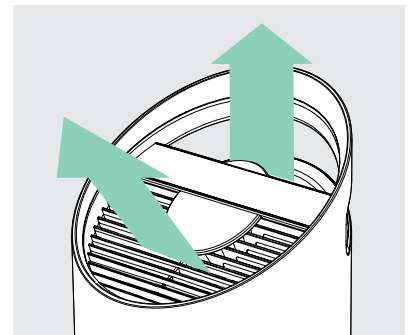
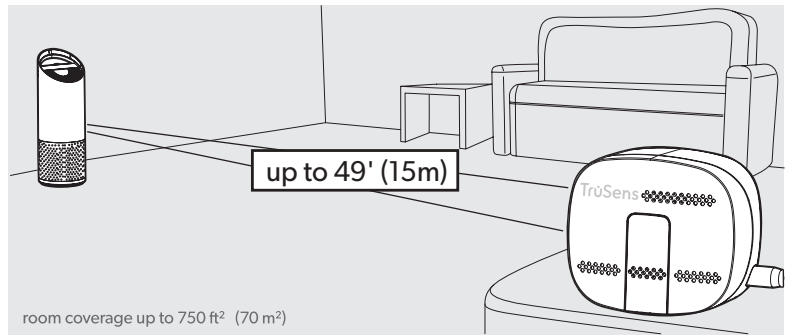
Plug-in your SensorPod™, and place upright on tabletop or counter across the room, within line of sight of the purifier.

Plug-in your air purifier unit and power on. Place the purifier on a flat surface, free from obstructions.

Signal strength may vary by location. In the rare occasion that it doesn't work – see page 18.

### 4. Start living with cleaner air!

The purifier will automatically adjust fan speeds based on the air quality readings from SensorPod, and proprietary PureDirect™ technology will deliver purified air throughout the room!



## CONTROL PANEL



### Power Button



### Fan Speed Settings

Select fan speed or AUTO mode. In AUTO mode, purifier automatically adjusts fan speed based on air quality readings from SensorPod™.

(AUTO mode only available when purifier is paired with SensorPod and receiving signal)



### Dimmer Mode

Display illumination turns off – for use while sleeping – without sacrificing the effectiveness of the purifier. Simply press the button again to bring back all display features.



### Timer Mode

Purifier will automatically turn off after 2, 4, 8, or 12 hours. To cancel this countdown, simply press button until no timer setting is displayed.

## UV

### UV Mode

UV bulb within the purifier’s filter chamber is on when the ☀️ symbol is white. The ☀️ symbol will glow red when it is time to replace the UV bulb.

(See page 15 for replacement instructions)

## Reset

### Filter and UV Indicator Reset

HEPA, Carbon and UV indicators glow red when it is time for each to be replaced. When 1 indicator is on, simply hold Reset button for 3 seconds to reset that indicator. When 2+ indicators are on, tap the Reset button to select the correct indicator (selected indicator will blink) before holding 3 seconds to reset that indicator.

(See pages 13-15 for replacement instructions. Follow above Reset button instructions after replacing filter.)

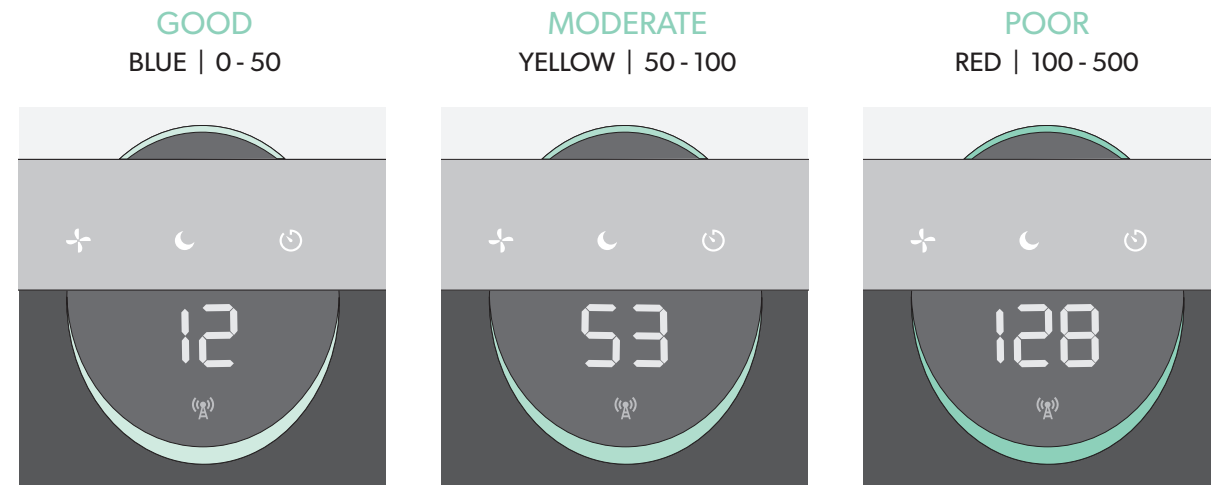
## AIR QUALITY DISPLAY

### Real-time Feedback

The revolutionary SensorPod™ evaluates the condition of your air by measuring both small (PM2.5) and larger (PM10) particulate matter. It calculates the overall air quality using a proprietary algorithm that is reactive to genuine increases in pollutants without overreacting to someone entering the room or settling into the couch.

The illuminated, colour-coded display communicates good, moderate or poor air quality and a numeric value provides a greater level of detail.

In AUTO mode, the purifier automatically adjusts the fan speed in response to these air quality readings.



## SPECIFICATIONS

Air Inlet	360°
Air changed 2 times per hr	750 ft <sup>2</sup> (70 m <sup>2</sup> )
Air Delivery Type	PureDirect™
Sensor	SensorPod™, works up to 49 ft (15 m) from purifier
Fan Speed Settings	Whisper, 1, 2, 3, Turbo
Purification Levels	Washable Prefilter, Carbon, True HEPA, UV
Timer Settings	2, 4, 8, 12 hr
Filter Change Indicators	Carbon, HEPA, UV
Noise	32 - 66 dB
Dimensions	10.3" x 10.4" x 28.6" (263 x 263 x 726 mm)
Weight	12.6 lbs (5.7 kg)
Motor Type	DC motor
Power Requirements	220-240V 50/60Hz 0.5A
Power Consumption	120 W
Warranty	2 years

### Replacement Filters & UV Bulb

3-in-1 HEPA drum filter	AFHZ300001AU
Carbon filter (3-pack)	AFCZ300001AU
UV Bulb	UVLZ300001AU

## CARE & MAINTENANCE

### Accessing the filter chamber

1. Always power off the purifier by pressing the Power Button and unplugging the power cord.
2. Gently place the unit on its side on the floor so that the filter chamber cover and knob are exposed.
3. Turn the knob counter-clockwise and remove the filter cover and 360° HEPA filter drum (Fig. A).

## REPLACING HEPA FILTER

1. The HEPA indicator will glow red when it is time to change the entire HEPA drum filter.
2. Gently pull the HEPA drum filter away from its place secured to the filter cover (Fig. B).
3. Secure the replacement HEPA filter onto the filter cover (Fig. C).
4. Gently replace the filter cover with filter drum into the filter chamber and onto the threading, and turn the knob clockwise until the knob and filter chamber cover are securely tightened (Fig. D).
5. Plug-in and power on your purifier, and hold the Reset button until the red HEPA indicator turns off.

Note: HEPA drum filter (on page 12) will include 3 layers: Washable Prefilter, Carbon and True HEPA

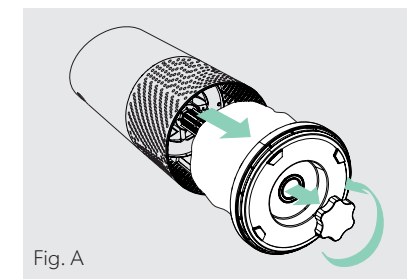


Fig. A

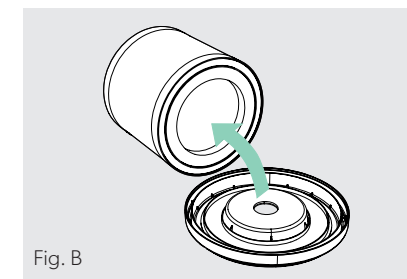


Fig. B

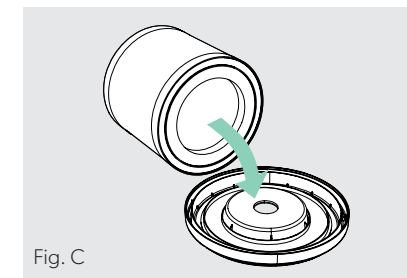


Fig. C

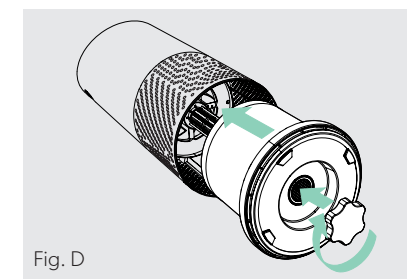


Fig. D

## REPLACING CARBON FILTER

1. The Carbon indicator will glow red when it is time to replace the Carbon layer.
2. Gently peel away the Prefilter from the fastener strips (Fig. E).
3. Gently peel away the used Carbon layer from the fastener strips (Fig. F).
4. Wrap a new Carbon layer around the filter drum and attach to the same fastener strips (Fig. G).
5. Replace the Prefilter by wrapping it around the Carbon layer and attach to the fastener strips (Fig. H).
6. Once the purifier is powered-on, hold the Reset button until the red Carbon indicator turns off.

Note: Carbon filter 3-pack (on page 12) will cover 3 Carbon changes between replacing the entire HEPA drum filter assembly (on page 13).

## WASHING THE PREFILTER

1. We recommend that you visually inspect the Prefilter every month, and clean as needed. At minimum, you should hand wash the Prefilter every time you change the Carbon filter.
2. Gently peel away the Washable Prefilter from the fastener strips (Fig. E).
3. Gently rinse with running water – allow Prefilter to air dry before re-installing.
4. Replace the Prefilter by wrapping it around the filter drum and attach to the fastener strips (Fig. H).

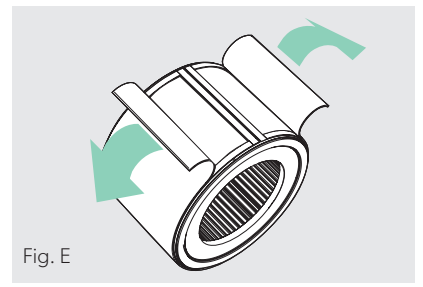


Fig. E

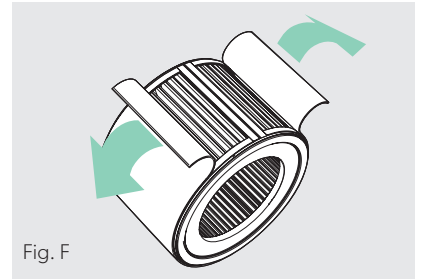


Fig. F

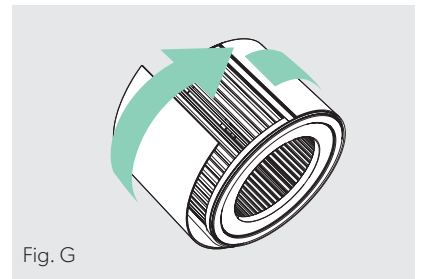


Fig. G

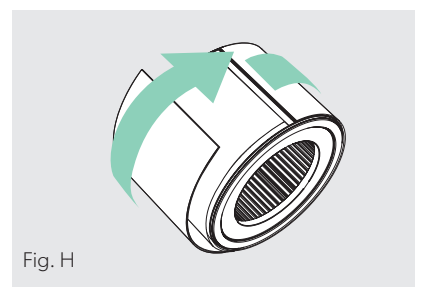




Fig. H

## REPLACING UV BULB

1. The  indicator will glow red when it is time to replace the UV bulb.
2. Remove HEPA filter drum (Fig. A), and use a screwdriver to remove the 4 screws securing the UV housing (Fig. I).
3. Gently remove the UV housing (Fig. J).
4. Disconnect the UV bulb from the socket within the purifier (Fig. K).
5. Your replacement UV bulb (on page 12) will plug directly into the same socket (Fig. L).
6. Replace the UV housing and use a screwdriver to tighten the fastening screws.
7. Once the purifier is powered-on, hold the Reset button until the  indicator turns white.

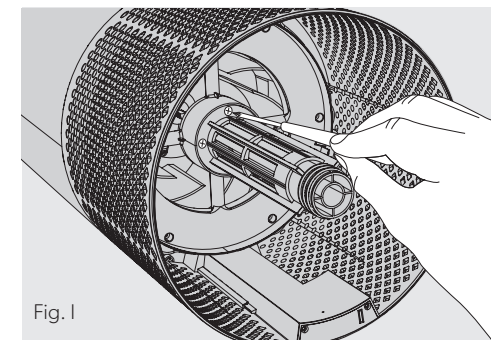


Fig. I

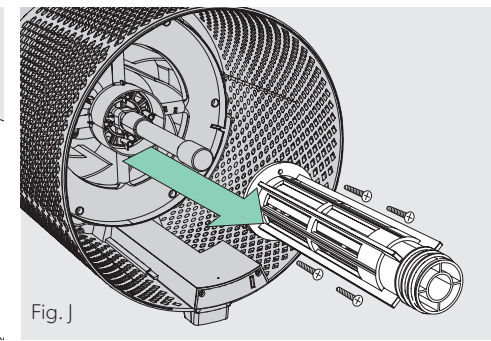


Fig. J

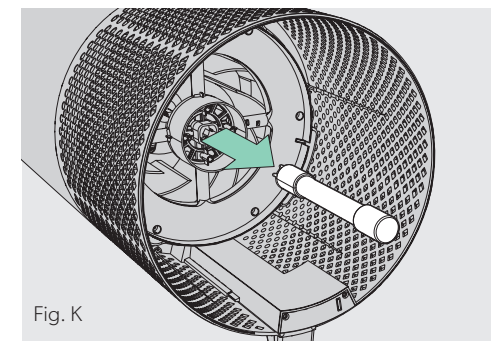


Fig. K

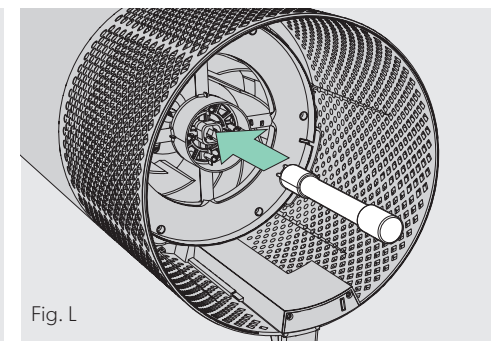


Fig. L



## CLEANING THE SENSORPOD™

### Cleaning the air quality sensor

The SensorPod™ uses an infrared light to detect particulate matter, so it is important that you clean the viewing chamber every 1-2 months to remove any dust or particles that may affect the accuracy of the sensor's readings.

1. Turn-off the SensorPod by unplugging the power cord.
2. Open the easy-access door on the front side by pulling the door up at a 90° angle.
3. Use a damp cotton swab to wipe the lens and intake area of the dust sensor (Fig. M).
4. Use a dry cotton swab to wipe away any remaining moisture.
5. Close the cover by rotating the door back down and sliding it back into place until you hear a click.

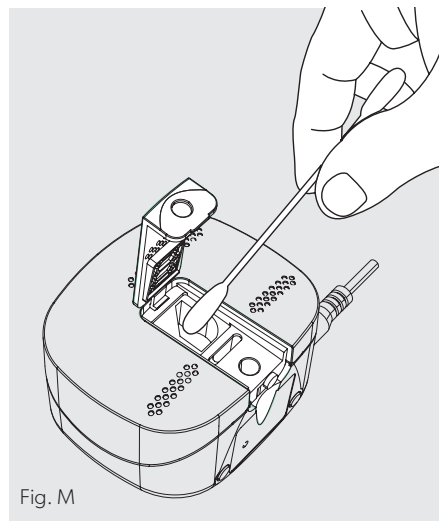


Fig. M

## FAQ & TROUBLESHOOTING

<b>Where do I place the SensorPod™?</b>	Anywhere you want to measure the air quality within the room! For optimal results, place the SensorPod™ up to 49 ft (15 m) away from the air purifier on a counter or table, within line of sight of the purifier. In Auto Mode, the purifier will work to distribute clean air until the SensorPod reads an acceptable level of air quality.
<b>How often do I need to change the filters?</b>	That's easy! The purifier's replacement indicators will notify you when it is time to replace the Carbon or HEPA filters, or the UV bulb. Plan on replacing the Carbon every 3-4 months, HEPA every 12-15 months, and UV bulb every 1-3 years.
<b>How often do I need to wash the Prefilter?</b>	The Prefilter captures larger particles and preserves the efficiency of the other filters, so we recommend that you visually inspect the prefilter every month and wash as needed. Another good habit is to wash the prefilter every time you replace the Carbon filter.
<b>How often do I need to clean the dust sensor within SensorPod™?</b>	For the most accurate measurement of your air quality, we'd recommend you clean the surface of the dust sensor every 1-2 months.
<b>Purifier won't turn on.</b>	Check that the power cord is connected securely to both the wall outlet and the purifier. Check if there is a power outage in the outlet by trying a nearby light or device, or by trying a working device in the same outlet. Check that the HEPA filter is fitted properly into filter chamber.  Please contact us if you're still having a problem! (page 19)

## FAQ & TROUBLESHOOTING

<p><b>Purifier won't go into Auto Mode.</b></p> <p>OR</p> <p><b>Air quality indicators are off.</b></p> <p>OR</p> <p><b>Purifier's sensor signal indicator is blinking.</b></p>	<p>First, check that the SensorPod is plugged-in and that its light is solid.</p> <p>Next, check that the SensorPod is within range of the purifier (up to 49ft/15m).</p> <p>If both are true and the connection is still failing, see below instructions on repairing the SensorPod's connection.</p>
<p><b>I've lost my SensorPod™!</b></p>	<p>Don't worry! Please contact our customer support team and you can order a replacement SensorPod. Follow the easy pairing instructions below to pair your replacement SensorPod with your existing air purifier!</p>

### Pairing SensorPod™ and Purifier

The SensorPod communicates with the purifier using radio frequency signals, and will be paired on the production line and ready for use when you open the box. In the rare event that the signal is interrupted, the purifier's sensor indicator light (📶) will blink. You can repair the connection in just a few easy steps.

1. Unplug the SensorPod.
2. HOLD the Power Button on the purifier for 3 seconds, when you should hear two chimes.
3. Plug-in the SensorPod and use an item with a small point (paper clip) to press and HOLD the pairing button underneath the SensorPod for 5-7 seconds (Fig. N).

4. The connection is established when the purifier's sensor indicator light is lit with no blinking, and the air quality indicators turn on.

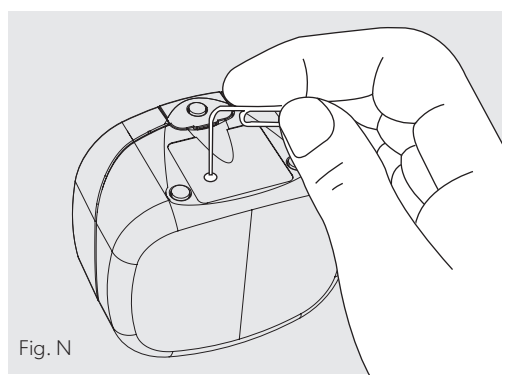


Fig. N

## WARRANTY

**Warranty Against Defects**  
 This product is provided with a **2 year** warranty limited to defects in material and workmanship from the date of original purchase (you must retain proof of purchase) (**Warranty Period**). This warranty is offered by ACCO Brands Australia Pty Ltd (ABN 16 000 265 047) if the product was purchased in Australia or ACCO Brands New Zealand Limited (26589) if the product was purchased in New Zealand (each referred to individually, as ACCO Brands). ACCO Brands will, at its own discretion, either repair or replace this product (with a new or refurbished product) if the defect is deemed by ACCO Brands to be the result of faulty materials or workmanship but subject to the conditions set out in this warranty. Any other representation contained on this product's packaging or provided with this product which constitutes or appears to constitute a warranty is hereby excluded and is not given by ACCO Brands (except for the statutory warranties as indicated below). You may claim on this warranty only within the Warranty Period in the manner set out below and provided that you have complied with all the other conditions of this warranty. This warranty can only be exercised by the original purchaser of the product and is not transferrable to any other person or entity under any circumstances.

**Statutory Guarantees and Your Other Rights and Remedies**  
 This warranty is provided in addition to other rights or remedies that you, as a consumer, may have under Australian or New Zealand consumer law, or any other applicable law. **For Australia:** Our goods come with guarantees that cannot be excluded under the Australian Consumer Law. You are entitled to a replacement or refund for a major failure and compensation for any other reasonably foreseeable loss or damage. You are also entitled to have the goods repaired or replaced if the goods fail to be of acceptable quality and the failure does not amount to a major failure. **For New Zealand:** Our Goods come with guarantees that cannot be excluded under the Consumer Guarantees Act 1993. This guarantee applies in addition to the conditions and guarantees implied by that legislation.

**What this Warranty Does Not Cover**  
 If ACCO Brands reasonably considers that any of the following situations are present, this warranty does not apply:

- any cosmetic damage;
- where the product's serial number is no longer present or visible;
- loss or damage caused by factors beyond the control of ACCO Brands including, but not limited to, damage or failure due to power fluctuations, overload, excessive heat or humidity;
- where the product has not been installed, operated, used, stored and/or maintained in accordance with any instructions provided with the product;
- where damage or defects are due to unusual, abnormal, non-recommended or negligent use, handling or maintenance of the product;
- any alterations or repairs to the product not authorised in writing or performed by ACCO Brands;
- liability based on any service or other agreement or arrangement entered with any third party; or
- normal wear and tear including deterioration of any wearable components or consumables in any product, including but not limited to base boards, blades, cutters, cutting disks, cutting sticks, drill bits, feed wheels, fuses, light bulbs, manual punches, separators, slitters and staple inserts.

**How to Make a Claim**  
 To make a claim under this warranty please contact your place of purchase within the Warranty Period (from the date of purchase). Proof of your purchase of this product, such as your receipt or invoice, must be provided in addition to a detailed description of the defect in the product. Your claim will be assessed under the terms and conditions of this warranty and the laws applicable to your place of purchase.

<p><b>Distributor Contact Details</b></p>	<p><b>Australian Customers</b>                  ACCO Brands Australia Pty Ltd                  Locked Bag 50, Blacktown BC, NSW 2148                  Phone: 1300 278 546                  Email: enquiry.nsw@acco.com</p>	<p><b>New Zealand Customers</b>                  ACCO Brands New Zealand Limited                  PO Box 11-677, Ellerslie, Auckland 1542                  Phone: 0800 800 526                  Email: enquiry.nz@acco.com</p>
---	--	--

## SUPPORT

Thank you for welcoming TruSens into your home. Our customers are at the heart of what we do, and we strive to design products that fit your lifestyle. If you have any questions or feedback, please reach out!

Visit our website at [www.trusens.com](http://www.trusens.com)  
 Email us at [trusens.au@acco.com](mailto:trusens.au@acco.com)  
 Call us at **1300 278 546**

# TruSens™

[www.trusens.com](http://www.trusens.com)

Subscribe to our YouTube channel **TruSens**  
& Follow us @**TruSensANZ**



ACCO Brands Australia  
2 Coronation Avenue  
Kings Park, NSW, 2148  
Tel: 1300 278 546

©2019 ACCO Brands. All rights reserved. TruSens™, U™ & Design, SensorPod™ and PureDirect™ are trademarks of ACCO Brands. DuPont™ & the Oval logo are trademarks or registered trademarks of E.I. du Pont de Nemours and Company used under license.

21973P004